

Drawing	Revision	Date	Created by	Description
01	A	7/6/2015	brooney	Drawing list
02	A	7/6/2015	brooney	ELECTRICAL SCHEMATIC, HIGH VOLTAGE, EXAMPLE
03	A	7/6/2015	brooney	ELECTRICAL SCHEMATIC, VFD'S, EXAMPLE
04	A	7/6/2015	brooney	ELECTRICAL SCHEMATIC, PLC, EXAMPLE
05	A	7/6/2015	brooney	ELECTRICAL SCHEMATIC, PLC DIGITAL, EX.
06	A	7/6/2015	brooney	ELECTRICAL SCHEMATIC, PLC, ENC., AO, EX.
07	A	7/6/2015	brooney	ELECTRICAL SCHEMATIC, PLC, AI, TC, EX.
08	A	7/6/2015	brooney	ELECTRICAL SCHEMATIC, PLC, SERIAL, EX.
09	A	7/6/2015	brooney	ELECTRICAL SCHEMATIC, SAFETY, EX.

## SYMBOL KEY

SYMBOL REF.	-TAG -LOCATION -FUNCTION SYMBOL	-MANUFACTURER -MANUFACTURER PN -PN -ADDITION INFO
WIRE NUMBERS		

## TAG KEY

TAG	DESCRIPTION
B##	TRANSDUCER
DIS##	DISCONNECT
ENC##	OPTICAL ENCODER
G##	TRANSFORMER/POWER SUPPLY
J##	CONNECTOR
K##	CONTACTOR
M##	MOTOR
Q##	CIRCUIT BREAKER/SWITCH
TC##	THERMOCOUPLE
VFD##	VARIABLE FREQUENCY DRIVE
W##	CABLE

Company Name  
 Company Address Line 1  
 Company Address Line 2

**CONFIDENTIAL**  
 UNAUTHORIZED USE,  
 MANUFACTURE OR  
 REPRODUCTION  
 IN WHOLE OR IN PART IS PROHIBITED.

SIZE  
**B**

DATE  
**7/6/2015**

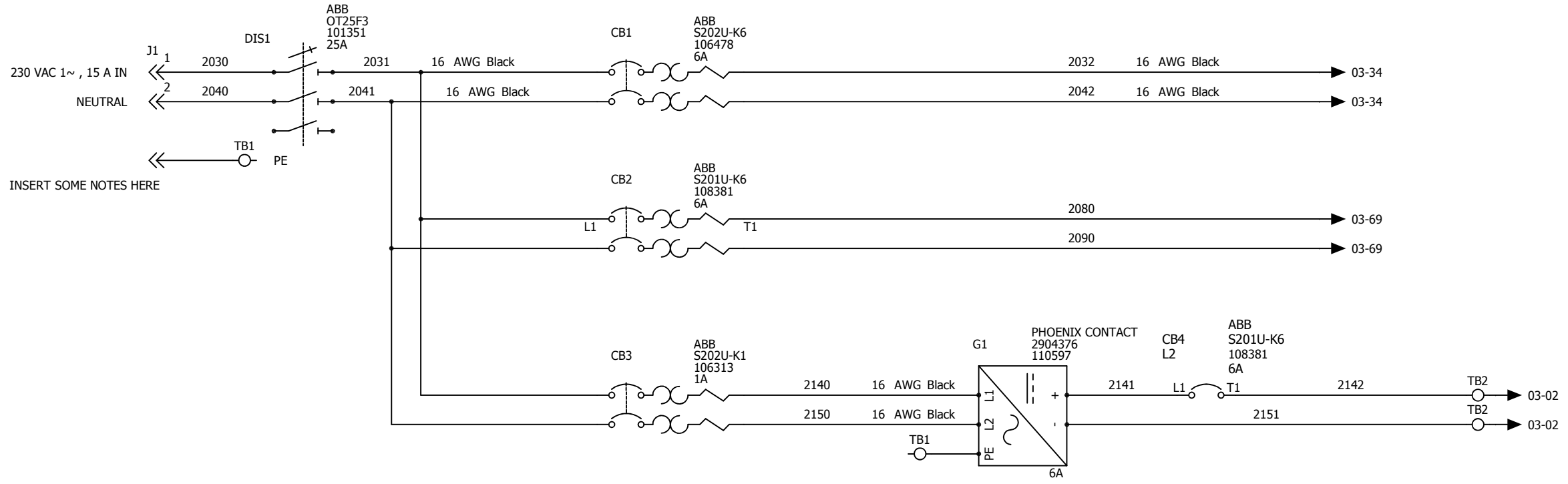
SHEET  
**01 OF 9**

TITLE  
**Drawing list**

DRAWING NUMBER  
**Insert Drawing Number Here**

REV  
**A**

02-01  
 02-02  
 02-03  
 02-04  
 02-05  
 02-06  
 02-07  
 02-08  
 02-09  
 02-10  
 02-11  
 02-12  
 02-13  
 02-14  
 02-15  
 02-16  
 02-17  
 02-18  
 02-19  
 02-20  
 02-21  
 02-22  
 02-23  
 02-24  
 02-25  
 02-26  
 02-27  
 02-28  
 02-29  
 02-30  
 02-31  
 02-32  
 02-33  
 02-34  
 02-35



NOTES:  
 1) ALL WIRES ARE BLUE STRANDED 18 GA. THHN, UNLESS OTHERWISE NOTED.  
 2) ALL COMMON 24VDC WIRES ARE BLUE/WHITE STRANDED 18 GA. THHN.  
 3) ALL CONNECTIONS NEED FERRULS.

Company Name  
 Company Address Line 1  
 Company Address Line 2

**CONFIDENTIAL**  
 UNAUTHORIZED USE,  
 MANUFACTURE OR  
 REPRODUCTION  
 IN WHOLE OR IN PART IS PROHIBITED.

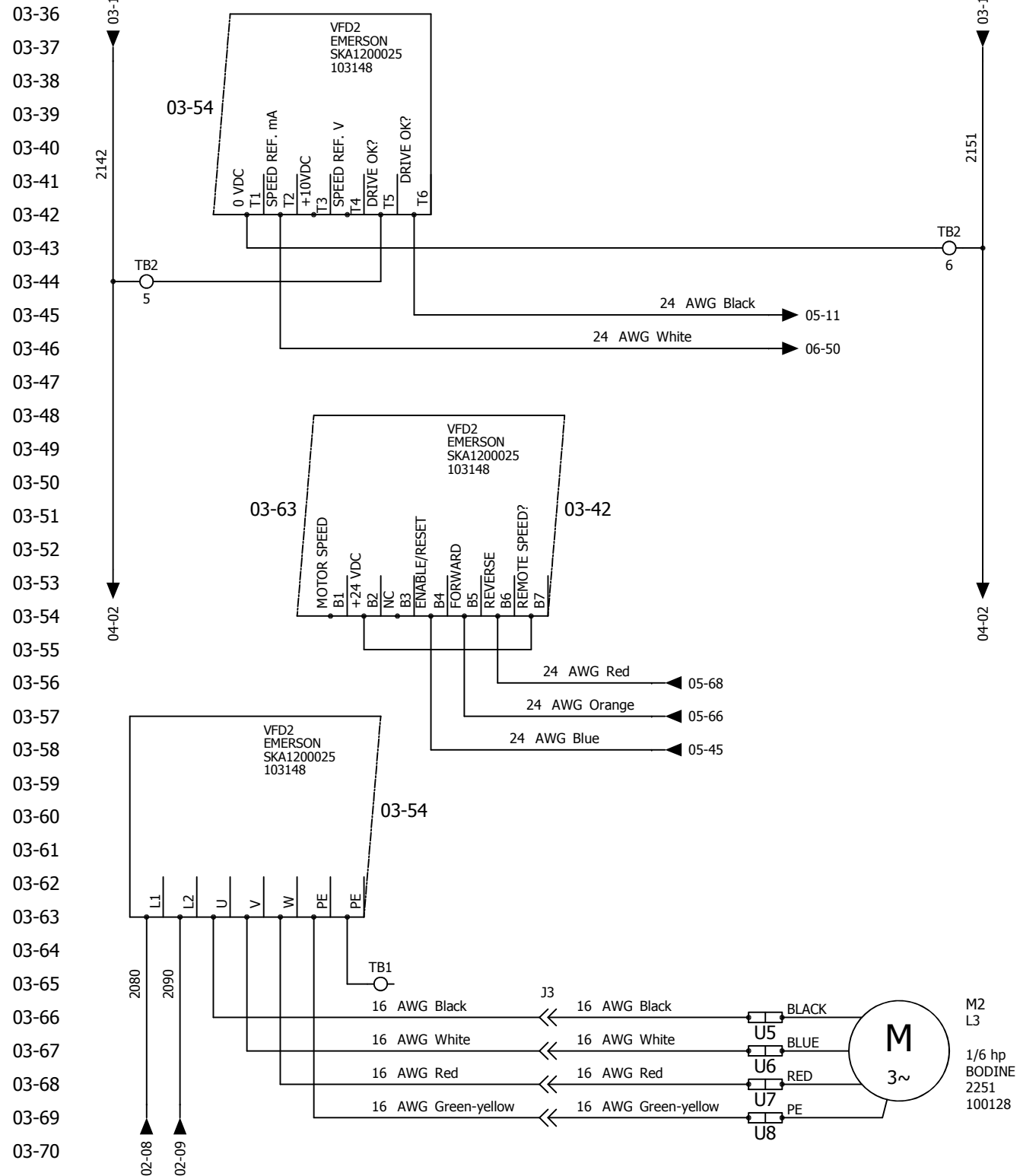
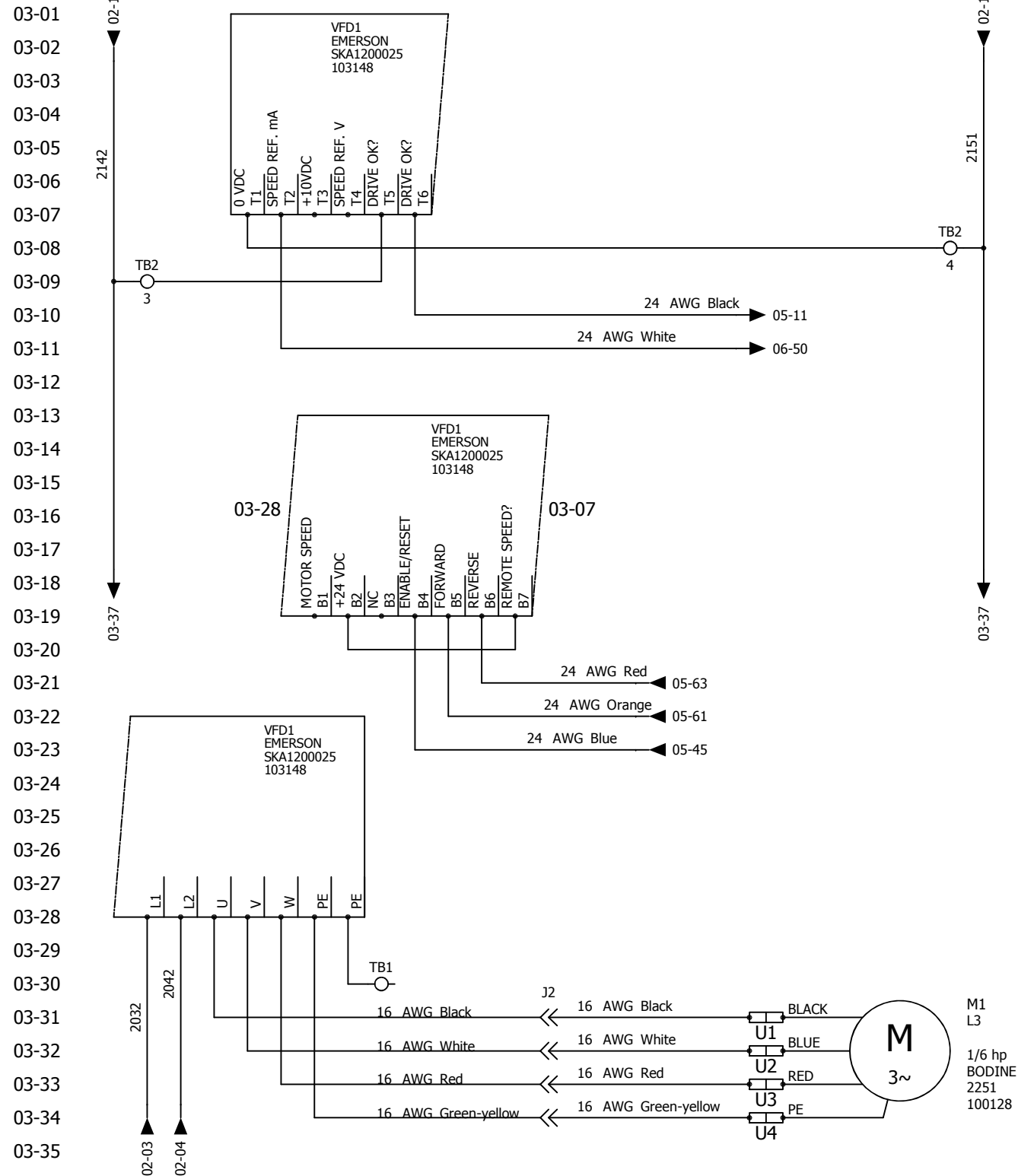
SIZE  
 B  
 SHEET  
 02 OF 9

DATE  
 7/6/2015

TITLE  
 ELECTRICAL SCHEMATIC, HIGH VOLTAGE, EXAMPLE

DRAWING NUMBER  
 Insert Drawing Number Here

REV  
 A



Company Name  
 Company Address Line 1  
 Company Address Line 2

**CONFIDENTIAL**  
 UNAUTHORIZED USE,  
 MANUFACTURE OR  
 REPRODUCTION  
 IN WHOLE OR IN PART IS PROHIBITED.

SIZE  
**B**

DATE  
**7/6/2015**

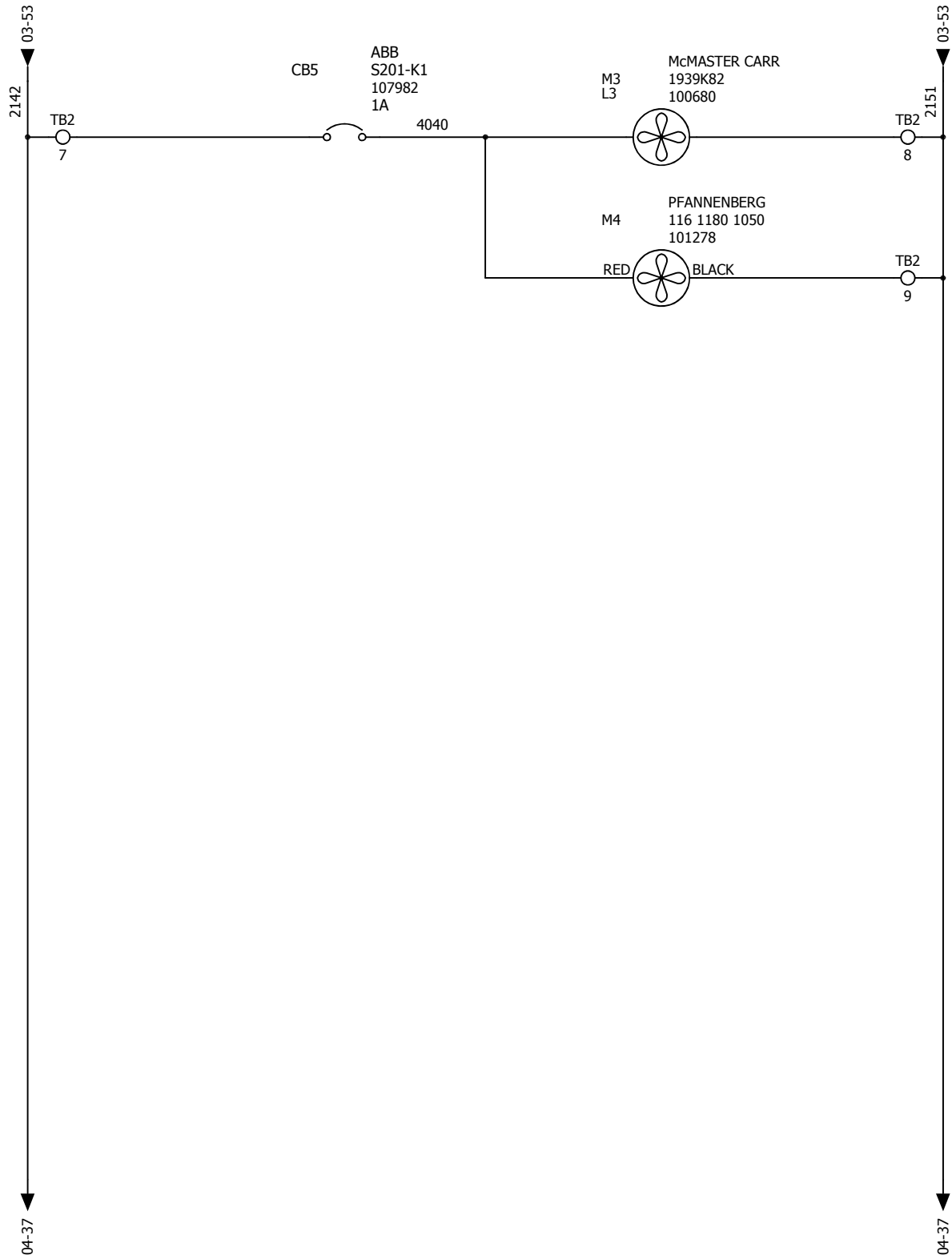
SHEET  
**03 OF 9**

TITLE  
**ELECTRICAL SCHEMATIC, VFD'S, EXAMPLE**

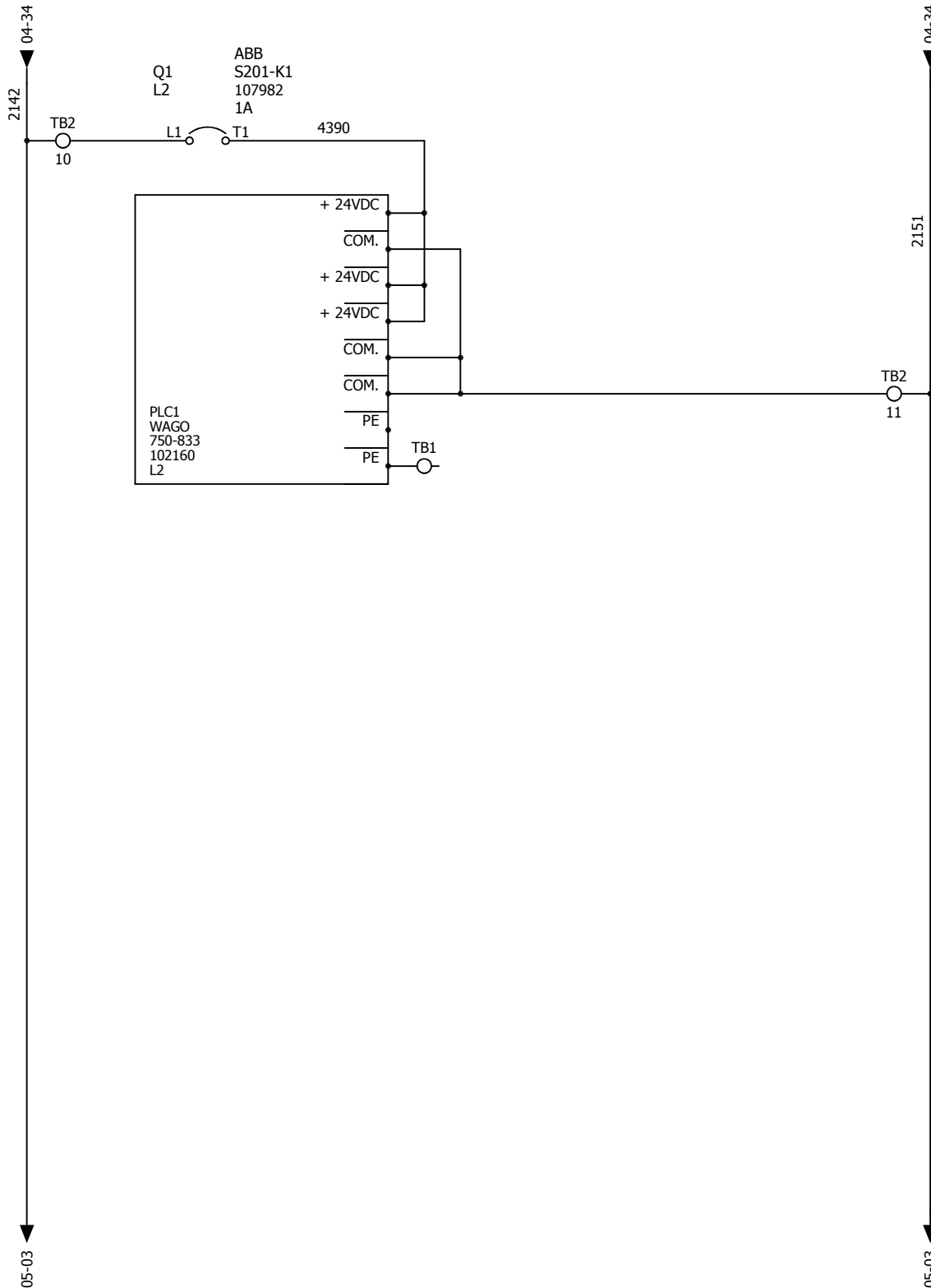
DRAWING NUMBER  
**Insert Drawing Number Here**

REV  
**A**

04-01  
04-02  
04-03  
04-04  
04-05  
04-06  
04-07  
04-08  
04-09  
04-10  
04-11  
04-12  
04-13  
04-14  
04-15  
04-16  
04-17  
04-18  
04-19  
04-20  
04-21  
04-22  
04-23  
04-24  
04-25  
04-26  
04-27  
04-28  
04-29  
04-30  
04-31  
04-32  
04-33  
04-34  
04-35



04-36  
04-37  
04-38  
04-39  
04-40  
04-41  
04-42  
04-43  
04-44  
04-45  
04-46  
04-47  
04-48  
04-49  
04-50  
04-51  
04-52  
04-53  
04-54  
04-55  
04-56  
04-57  
04-58  
04-59  
04-60  
04-61  
04-62  
04-63  
04-64  
04-65  
04-66  
04-67  
04-68  
04-69  
04-70



Company Name  
Company Address Line 1  
Company Address Line 2

**CONFIDENTIAL**  
UNAUTHORIZED USE,  
MANUFACTURE OR  
REPRODUCTION  
IN WHOLE OR IN PART IS PROHIBITED.

SIZE  
**B**  
DATE  
**7/6/2015**  
SHEET  
**04 OF 9**

TITLE  
**ELECTRICAL SCHEMATIC, PLC, EXAMPLE**

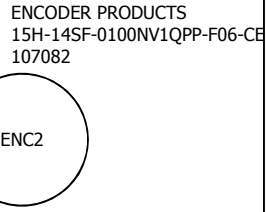
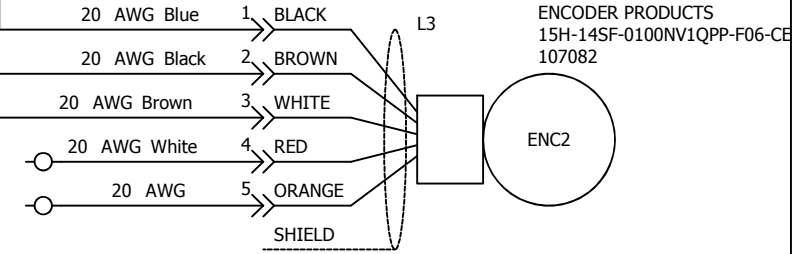
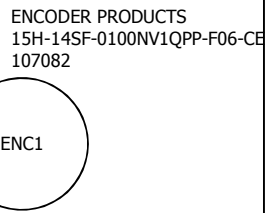
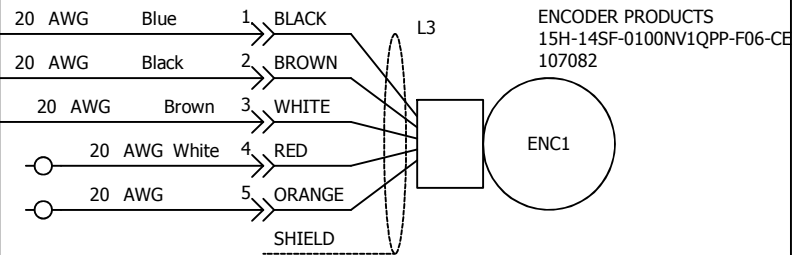
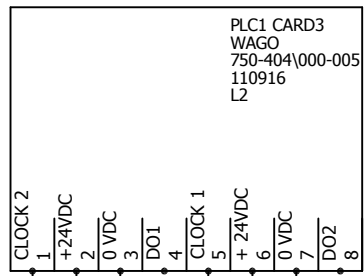
DRAWING NUMBER  
**Insert Drawing Number Here**

REV  
**A**



06-01  
06-02  
06-03  
06-04  
06-05  
06-06  
06-07  
06-08  
06-09  
06-10  
06-11  
06-12  
06-13  
06-14  
06-15  
06-16  
06-17  
06-18  
06-19  
06-20  
06-21  
06-22  
06-23  
06-24  
06-25  
06-26  
06-27  
06-28  
06-29  
06-30  
06-31  
06-32  
06-33  
06-34  
06-35

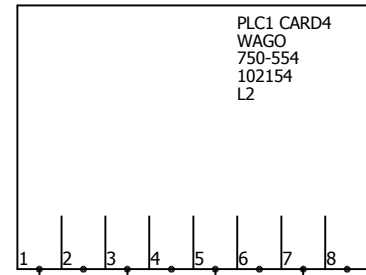
05-69  
06-37



05-68  
2151  
06-37

06-36  
06-37  
06-38  
06-39  
06-40  
06-41  
06-42  
06-43  
06-44  
06-45  
06-46  
06-47  
06-48  
06-49  
06-50  
06-51  
06-52  
06-53  
06-54  
06-55  
06-56  
06-57  
06-58  
06-59  
06-60  
06-61  
06-62  
06-63  
06-64  
06-65  
06-66  
06-67  
06-68  
06-69  
06-70

06-34  
2142  
07-02



06-34  
2151  
07-02

Company Name  
Company Address Line 1  
Company Address Line 2

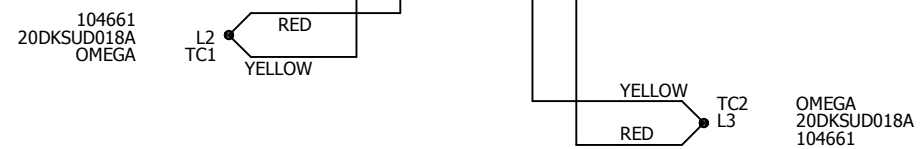
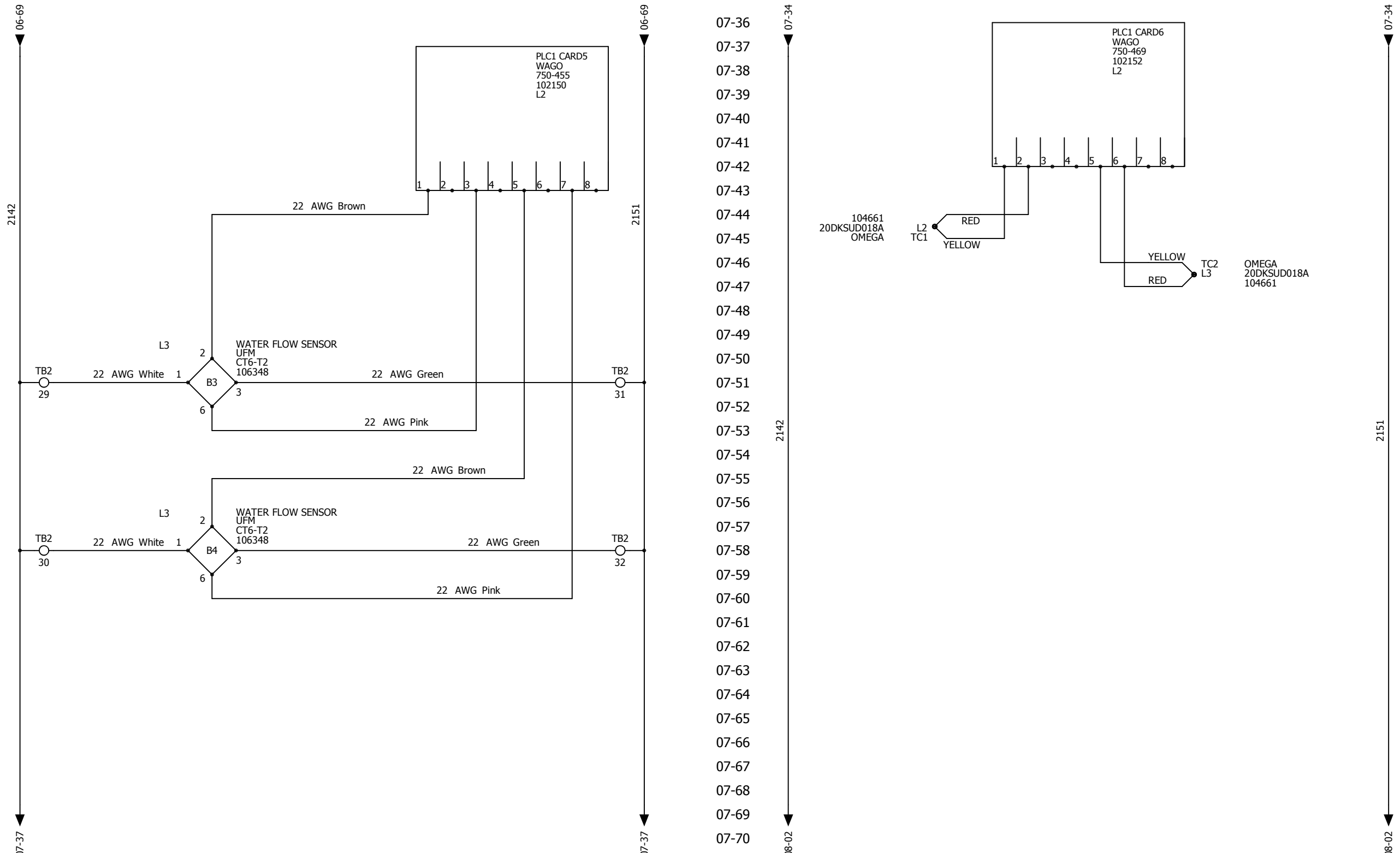
**CONFIDENTIAL**  
UNAUTHORIZED USE,  
MANUFACTURE OR  
REPRODUCTION  
IN WHOLE OR IN PART IS PROHIBITED.

SIZE  
**B**  
DATE  
**7/6/2015**  
SHEET  
**06 OF 9**

TITLE  
**ELECTRICAL SCHEMATIC, PLC, ENC., AO, EX.**  
DRAWING NUMBER  
**Insert Drawing Number Here**  
REV  
**A**

07-01  
07-02  
07-03  
07-04  
07-05  
07-06  
07-07  
07-08  
07-09  
07-10  
07-11  
07-12  
07-13  
07-14  
07-15  
07-16  
07-17  
07-18  
07-19  
07-20  
07-21  
07-22  
07-23  
07-24  
07-25  
07-26  
07-27  
07-28  
07-29  
07-30  
07-31  
07-32  
07-33  
07-34  
07-35

07-36  
07-37  
07-38  
07-39  
07-40  
07-41  
07-42  
07-43  
07-44  
07-45  
07-46  
07-47  
07-48  
07-49  
07-50  
07-51  
07-52  
07-53  
07-54  
07-55  
07-56  
07-57  
07-58  
07-59  
07-60  
07-61  
07-62  
07-63  
07-64  
07-65  
07-66  
07-67  
07-68  
07-69  
07-70



2142  
07-37

06-69  
2151  
07-37

07-34  
2142  
08-02

07-34  
2151  
08-02

Company Name  
Company Address Line 1  
Company Address Line 2

**CONFIDENTIAL**  
UNAUTHORIZED USE,  
MANUFACTURE OR  
REPRODUCTION  
IN WHOLE OR IN PART IS PROHIBITED.

SIZE  
**B**

DATE  
**7/6/2015**

SHEET  
**07 OF 9**

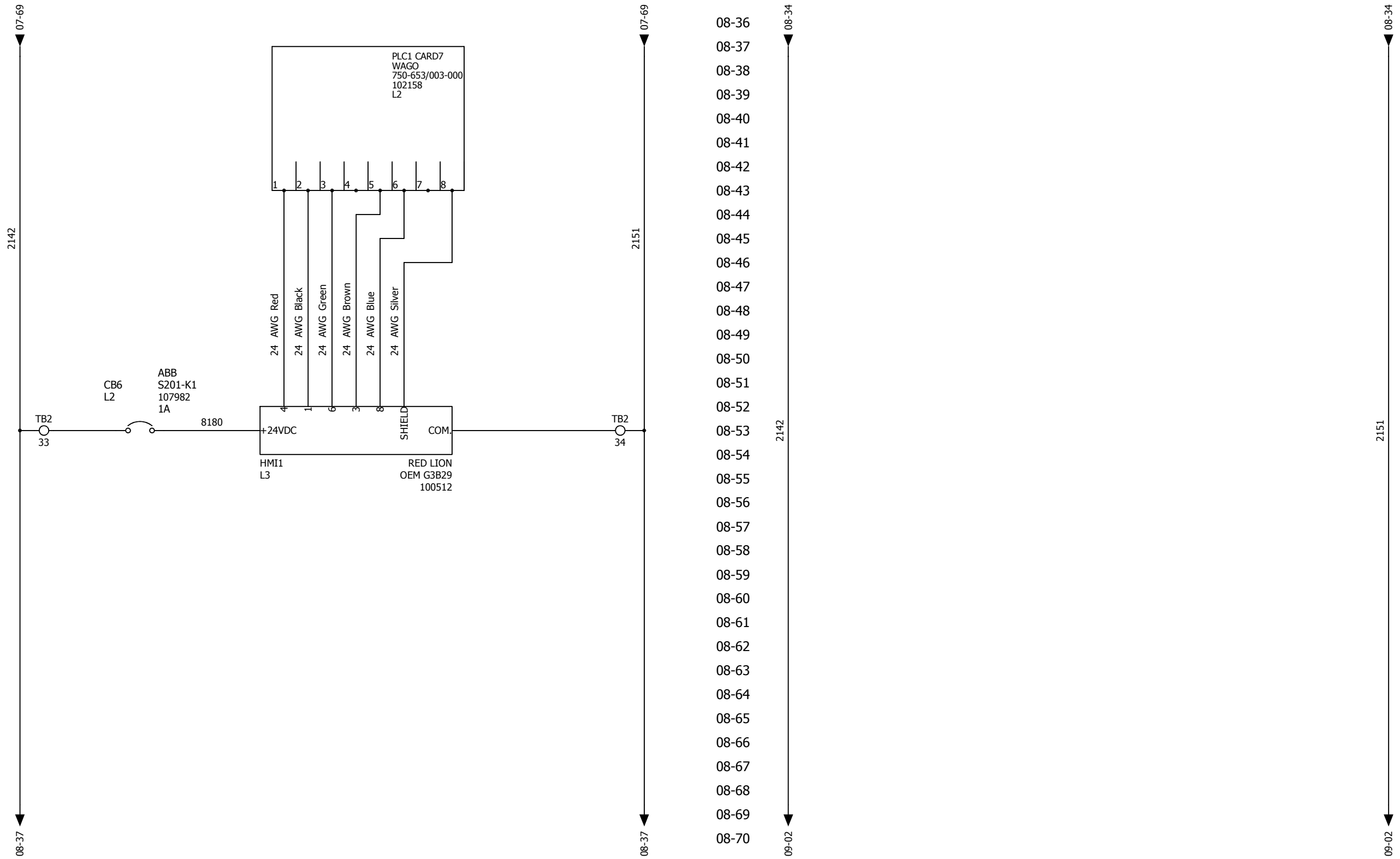
TITLE  
**ELECTRICAL SCHEMATIC, PLC, AI, TC, EX.**

DRAWING NUMBER  
**Insert Drawing Number Here**

REV  
**A**

08-01  
08-02  
08-03  
08-04  
08-05  
08-06  
08-07  
08-08  
08-09  
08-10  
08-11  
08-12  
08-13  
08-14  
08-15  
08-16  
08-17  
08-18  
08-19  
08-20  
08-21  
08-22  
08-23  
08-24  
08-25  
08-26  
08-27  
08-28  
08-29  
08-30  
08-31  
08-32  
08-33  
08-34  
08-35

08-36  
08-37  
08-38  
08-39  
08-40  
08-41  
08-42  
08-43  
08-44  
08-45  
08-46  
08-47  
08-48  
08-49  
08-50  
08-51  
08-52  
08-53  
08-54  
08-55  
08-56  
08-57  
08-58  
08-59  
08-60  
08-61  
08-62  
08-63  
08-64  
08-65  
08-66  
08-67  
08-68  
08-69  
08-70



Company Name  
Company Address Line 1  
Company Address Line 2

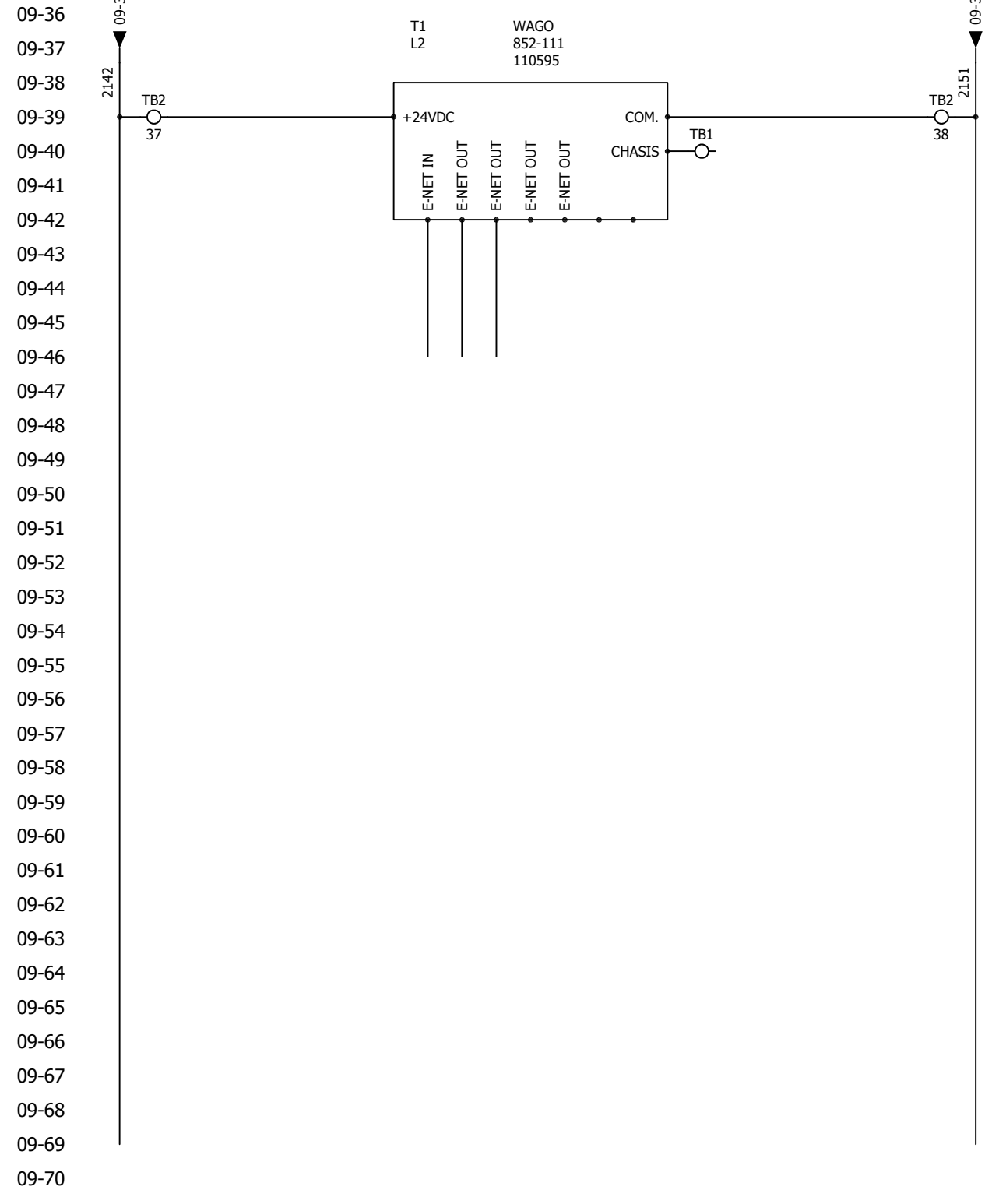
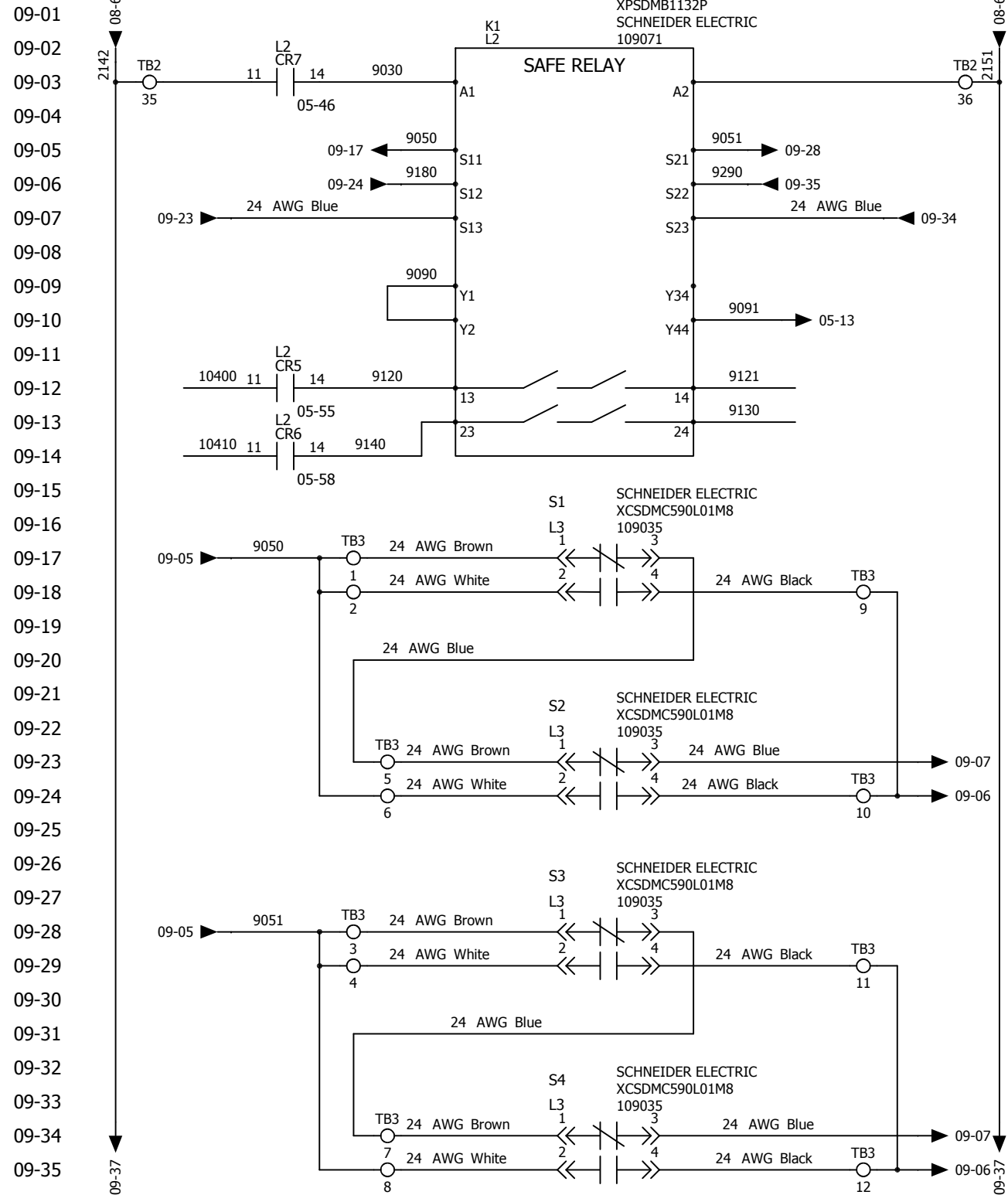
**CONFIDENTIAL**  
UNAUTHORIZED USE,  
MANUFACTURE OR  
REPRODUCTION  
IN WHOLE OR IN PART IS PROHIBITED.

SIZE  
**B**  
DATE  
**7/6/2015**  
SHEET  
**08 OF 9**

TITLE  
**ELECTRICAL SCHEMATIC, PLC, SERIAL, EX.**  
DRAWING NUMBER  
**Insert Drawing Number Here**

REV  
**A**





Company Name  
 Company Address Line 1  
 Company Address Line 2

**CONFIDENTIAL**  
 UNAUTHORIZED USE,  
 MANUFACTURE OR  
 REPRODUCTION  
 IN WHOLE OR IN PART IS PROHIBITED.

SIZE  
**B**

DATE  
**7/6/2015**

SHEET  
**09 OF 9**

TITLE  
**ELECTRICAL SCHEMATIC, SAFETY, EX.**

DRAWING NUMBER  
**Insert Drawing Number Here**

REV  
**A**